



SANDÉN

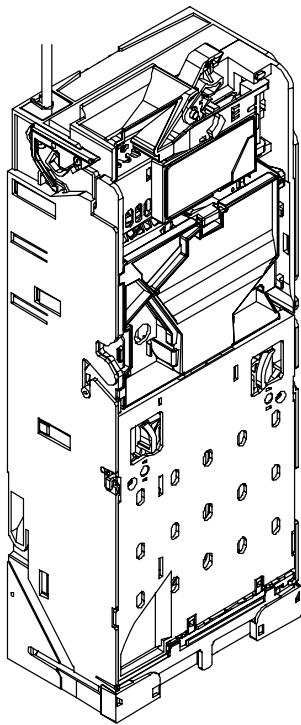
Delivering Excellence

SERVICE PARTS LIST

Coin Changer

Model : SC5E MDBD (ECC-EUM60D1)

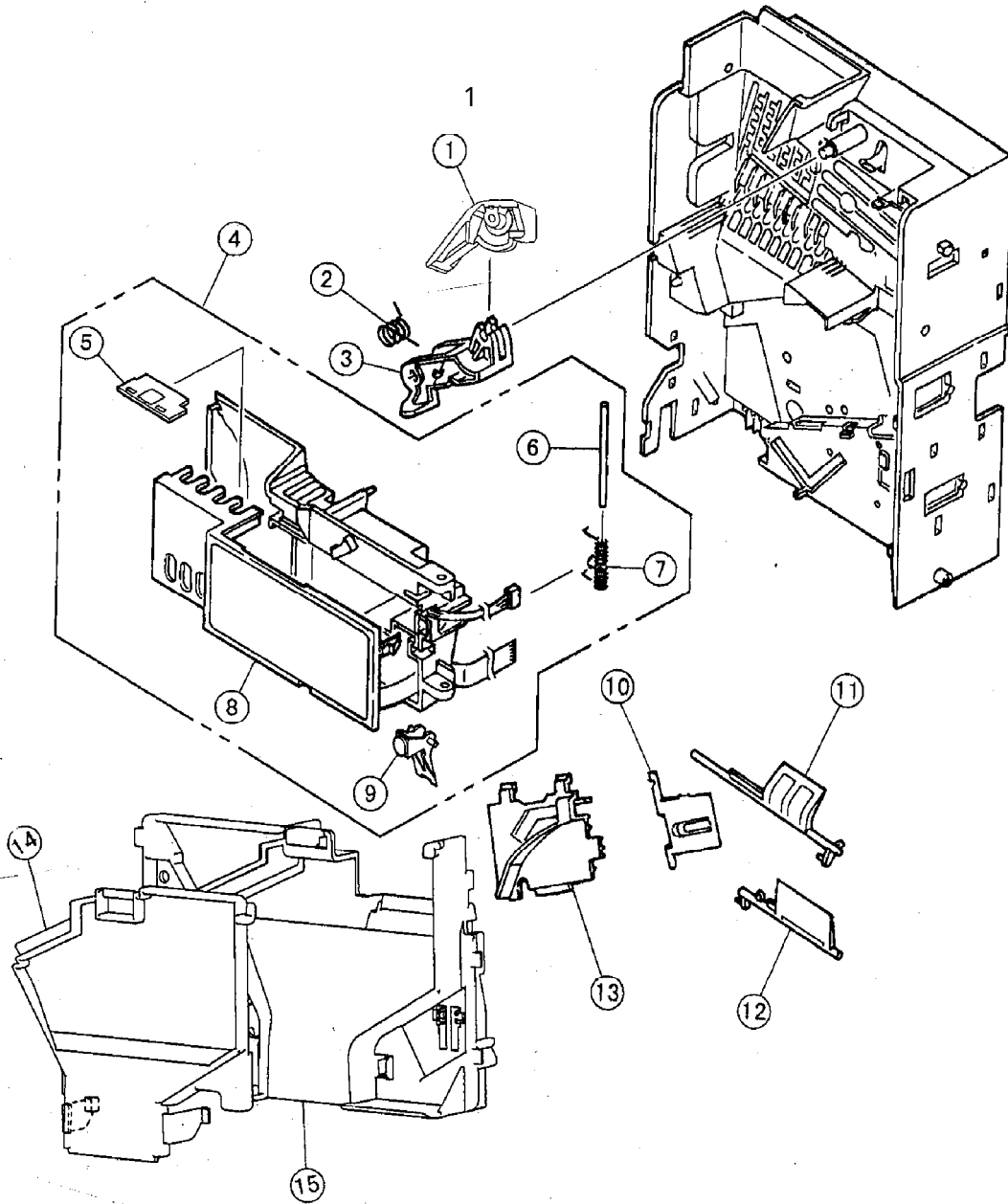
Contents



- Acceptor (front) . . . P 1
- Acceptor (rear) . . . P 3
- Tube assembly . . . P 5
- Main Body P 7
- Payout Compartment P 10
- Gear unit Assy . . . P 12

Parts list :SC5E MDBD(ECC-EUM60D1)

• Acceptor (front)



Parts list :SC5E MDBD (ECC - EUM60D1)

No.	PARTS No.	PARTS NAME	N/U	PARTS CODE	NOTE
Acceptor (front)					
1	75612-40020	Lever - A	1		POM(White)
2	75611-40330	Spring-return	1		
3	75612-40150	Return lever-12-EU	1		POM(Green)
4	75612-10370	Sub-plate assembly D1	1		
5	75611-40120	Gate rail	1		A component of No4
6	75611-40320	Shaft 3 × 5 2 . 5	1		A component of No4
7	75611-40340	Double torsion spring	1		A component of No4
8	75612-10380	Sub-plate cover assembly	1		A component of No4
9	75612-40030	Coin lift preventing lever GL	1		A component of No4
10	75661-40140	Sort door A	1		POM(Blue)
11	75611-40130	Accept/Reject door	1		POM(White)
12	75611-40161	Cashbox door	1		POM(Green)
13	75661-40040	Partition export GL	1		PC(Smoked gray)
14	75661-40240	AC top cover EU	1		PC (Transparency)
15	75661-40032	AC front cover EU	1		PC (Transparency)

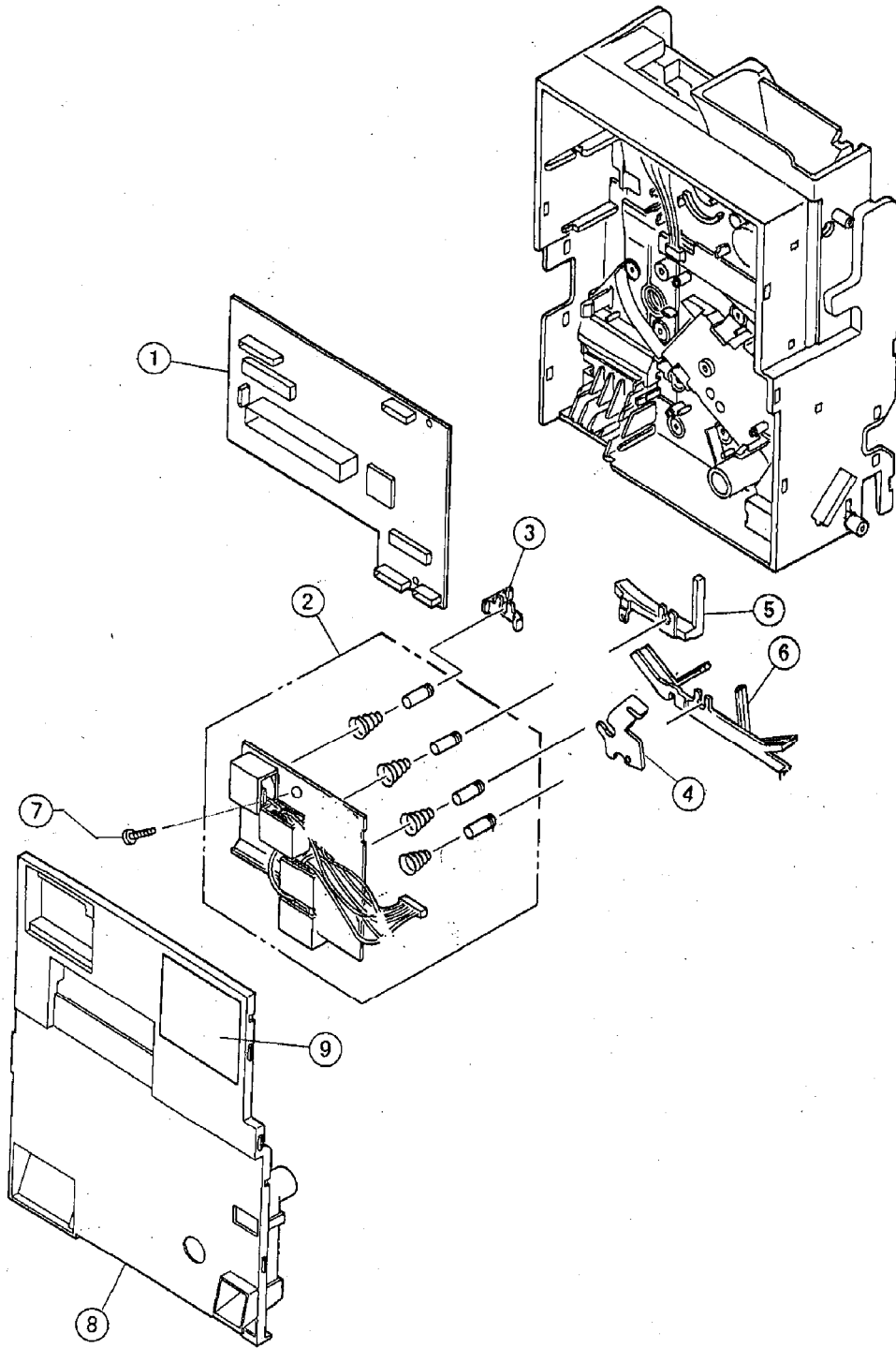
1 ; There is the following part as optional part of No.1.

PARTS No.	PARTS NAME
75611-40080	Return lever roller



Parts list :SC5E MDBD(ECC-EUM60D1)

• Acceptor (rear)



Parts list :SC5E MDBD(ECC-EUM60D1)

No.	PARTS No.	PARTS NAME	N/U	PARTS CODE	NOTE
Acceptor (rear)					
1	75612-17242	ACP PCB Assy with Program	1		
2	75661-40301	Solenoid Pack-4	1		(Attention)
3	75611-40192	Solenoid lever A	1		POM(White)
4	75661-40200	Solenoid lever B	1		POM(Blue)
5	75611-40151	Coin pass gate B	1		POM(Red)
6	75661-40170	Coin pass gate D-EU	1		PC(Black)
7	92401-97190	Screw +N3 x 6 (P)	1		Screw for plastic
8	75611-14042	Acceptor rear cover assembly	1		
9	75612-44241	Label, Acceptor switch	1		

Acceptor (Front+Rear)

PARTS No. 75612-10367

PARTS NAME ACP-EUM60D1

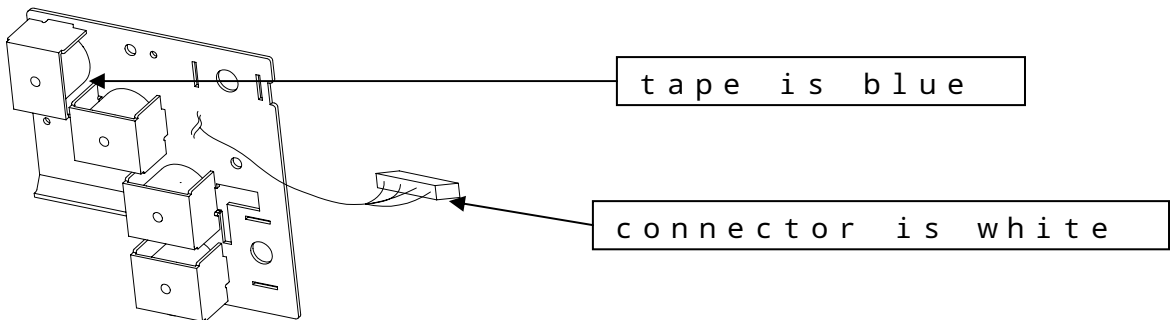
(Attention)

· Identification of a solenoid (24V)
of No.2 and other solenoid (10V;UNIA)

No.2 Solenoid (24V;75661-40301)

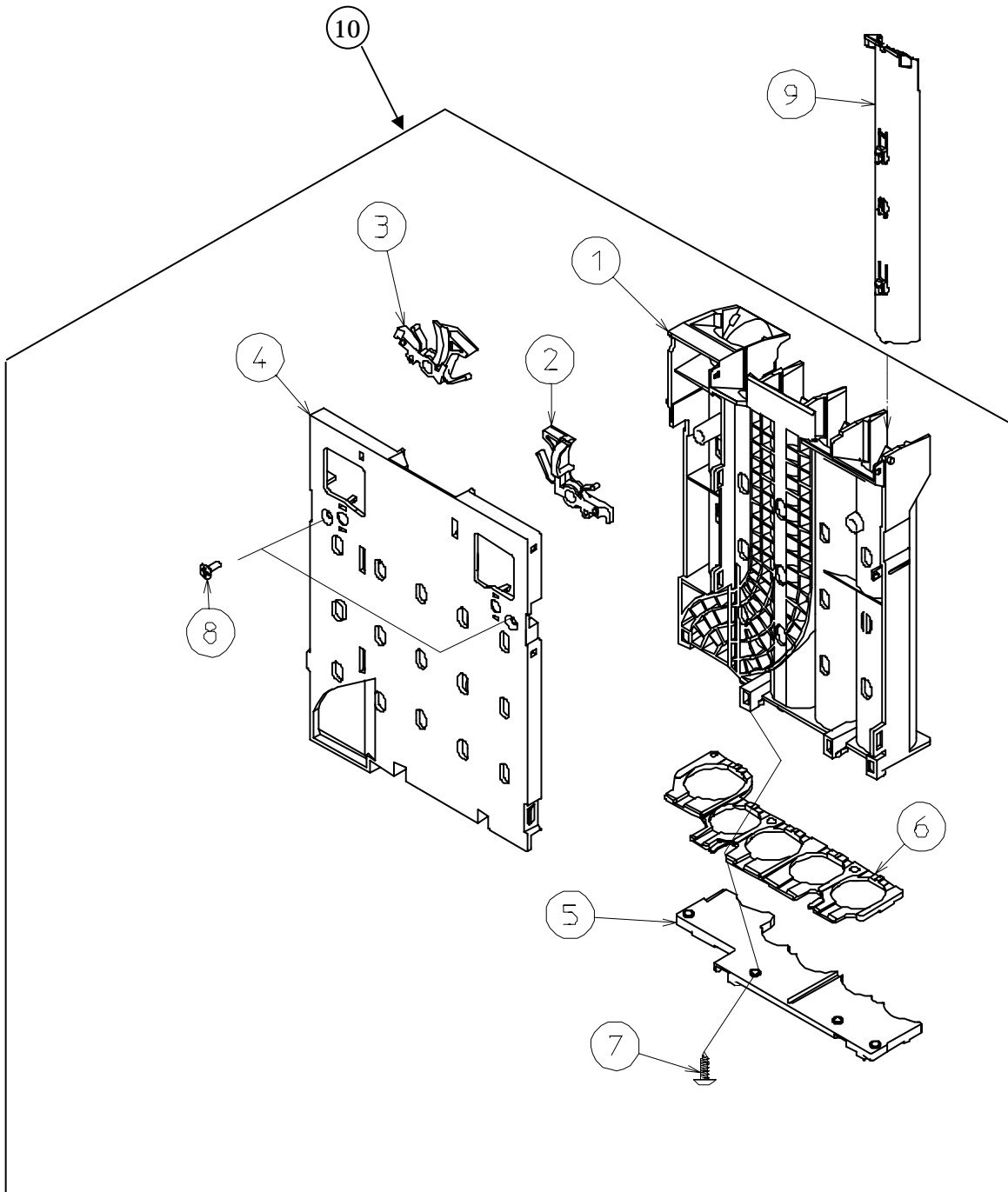
(1) A color of tape is blue

(2) A color of connector is white



Parts list :SC5E MDBD(ECC-EUM60D1)

• Tube assembly(ECC-MTEUD1)

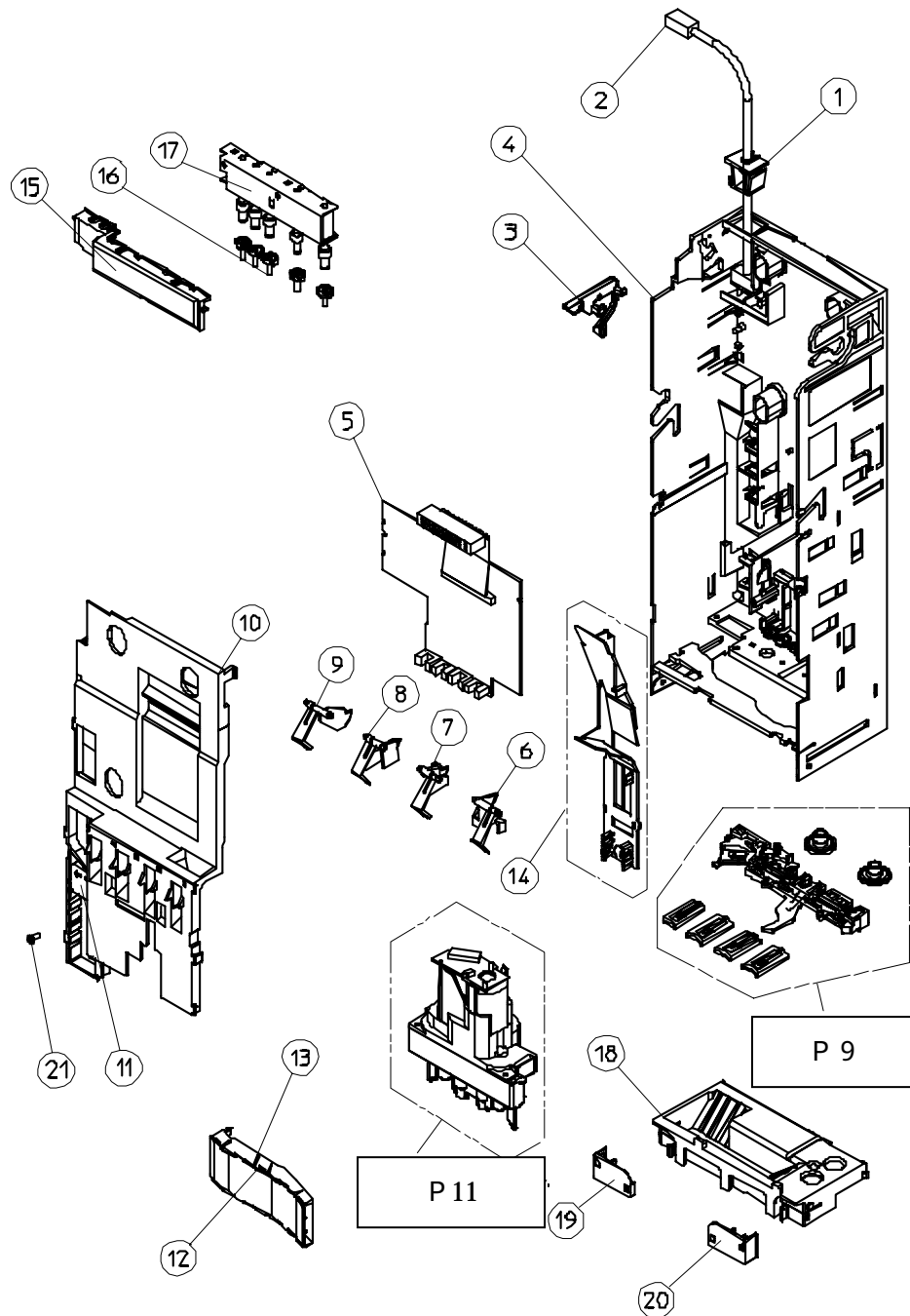


Parts list :SC5E MDBD (ECC - EUM60D1)

No.	PARTS No.	PARTS NAME	N/U	PARTS CODE	NOTE
Tube (ECC - MTEUB1)					
1	75666-40012	Tube EU1	1		P C (Transparency)
2	75666-40051	Tube hook R-GL	1		POM(Blue)
3	75666-40060	Tube hook L-GL	1		POM(Blue)
4	75617-10150	Tube front cover Assy	1		
5	75666-40040	Tube base EU1	1		PPE(Reddish brown)
6	75666-40090	Slide ring EU1	1		POM(White)
7	92401-97160	Screw +N3 × 8 (P)	4		Screw for plastic
8	92401-97200	Screw +S 3 × 6 (P)	2		Screw for plastic
9	75666-50100	Spacer 10 cent	1		P C (Transparency)
10	75167-10200	Tube assembly ECC-MTEUD1	1		

Parts list :SC5E MDBD(ECC-EUM60D1)

• Main Body

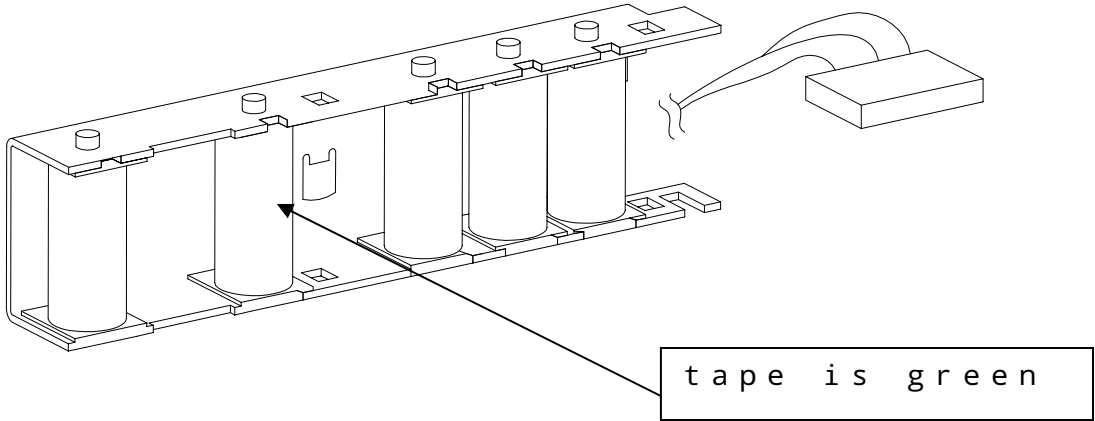


Parts list :SC5E MDBD(ECC-EUM60D1)

No.	PARTS No.	PARTS NAME	N/U	PARTS CODE	NOTE
Main Body					
1	75601-40300	Harness cramp	1		POM(Blue)
2	75651-41011	MDB harness	1		
3	75601-40290	Acceptor hook	1		POM(Blue)
4	75602-40050	Housing GL	1		PC/ABS(Gray)
5	75651-14426	Sub board assembly	1		
6	75601-40080	Overflow lever E	1		PC(Black)
7	75601-40070	Overflow lever D	1		PC(Black)
8	75601-40060	Overflow lever C	1		PC(Black)
9	75601-40050	Overflow lever B	1		PC(Black)
10	75601-40042	Housing partition	1		PC/ABS(Reddish brown)
11	75602-15010	Overflow sensor A R assembly	1		
12	75601-40260	Coin gutter cover	1		PC(Transparency)
13	75601-40250	Coin gutter	1		PC(Transparency)
14	75651-14060	Coin passage EU assembly	1		
15	75602-15020	Empty sensor R assembly	1		
16	75601-40390	Select pin	5		POM(White)
17	91503-47110	Payout solenoid	1		(Attention)
18	75602-40060	Bottom base GL	1		PPE(Gray)
19	75651-40440	Main body guard left	1		POM(Blue)
20	75651-40430	Main body guard right	1		POM(Blue)
21	92401-47070	Screw +S3X6(P)	1		Screw for plastic

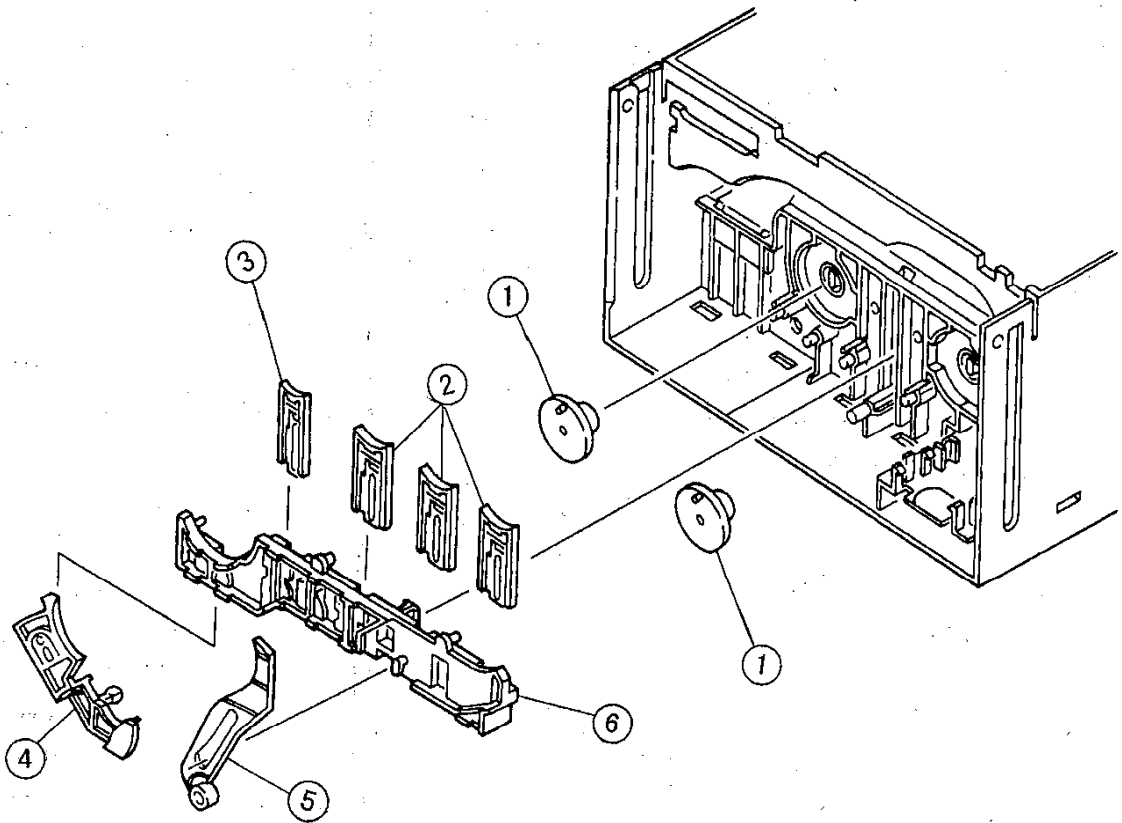
(Attention)

- Identification of a solenoid (24V)
of No.17 and other solenoid (10V; UNIA)
No.17 Solenoid (24V; 91503-47110)
(1) A color of tape is green



Parts list :SC5E MDBD(ECC-EUM60D1)

• Payout Compartment

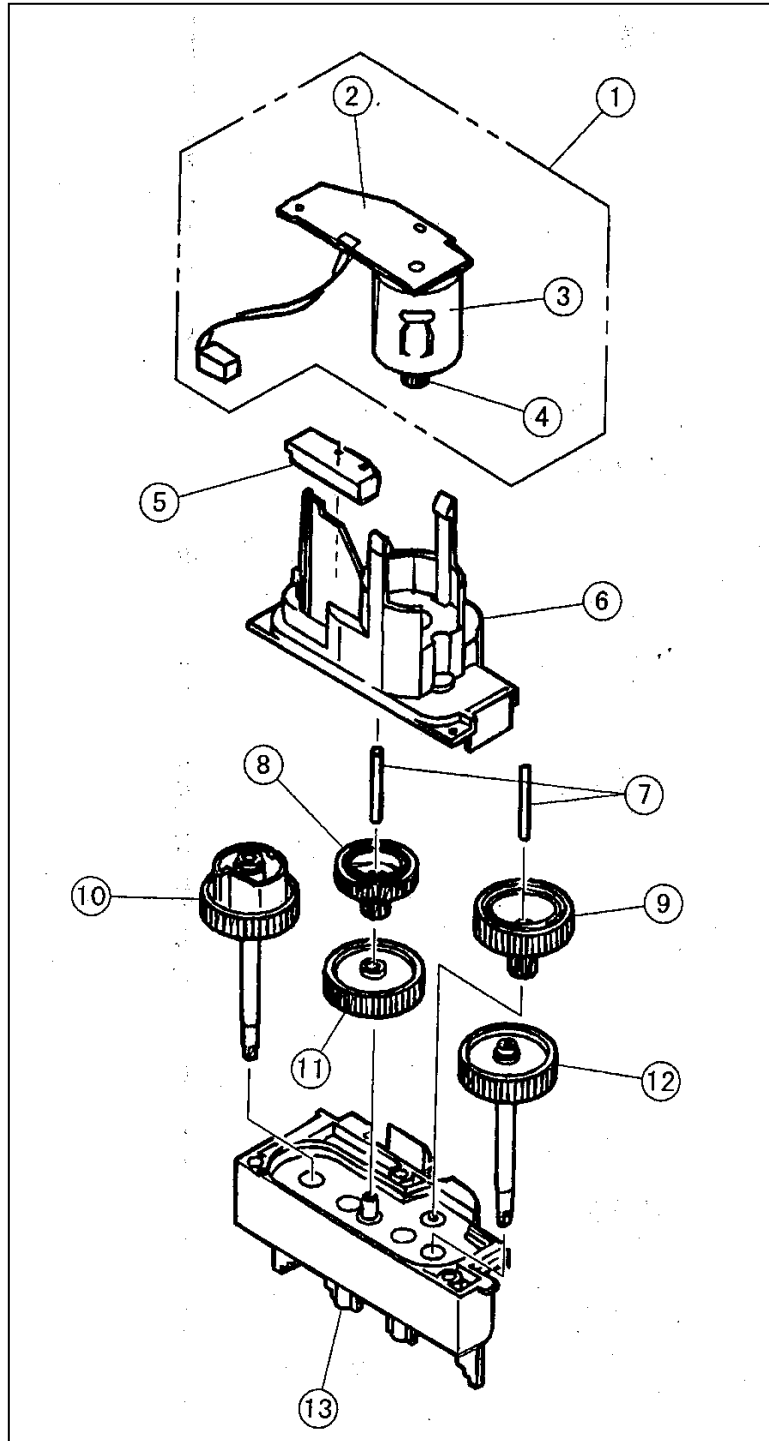


Parts list :SC5E MDBD(ECC-EUM60D1)

No.	PARTS No.	PARTS NAME	N/U	PARTS CODE	NOTE
Payout Compartment					
1	75601-40311	Payout cam	2		POM(White)
2	75601-40360	Payout slide large	3		POM(White)
3	75601-40370	Payout slide small	1		POM(White)
4	75651-40350	Payout slide EU	1		POM(Black)
5	75601-40340	Coin wiper	1		POM(White)
6	75602-40040	Slide bar MBT1400V	1		PBT(Black)

Parts list :SC5E MDBD(ECC-EUM60D1)

• Gear unit Assy



Parts list :SC5E MDBD(ECC-EUM60D1)

No.	PARTS No.	PARTS NAME	N/U	PARTS CODE	NOTE
Gear unit assy					
1	75602-10240	Motor unit assembly M	1		
2	75651-17431	Motor PCB Assy	1		A component of No.1
3	93501-47280	Motor RS-360SH-09500DV	1		A component of No.1
4	75601-40110	Pinion	1		A component of No.1
5	91301-E7210	Micro Switch D3M-01	1		
6	75601-40132	Gear case Upper	1		PC(Reddish brown)
7	75601-40220	Shaft 2.5X28	2		
8	75601-40160	Gear B	1		POM(White)
9	75601-40170	Gear C	1		POM(White)
10	75601-40181	Power output Axle left	1		POM(White)
11	75601-40151	Gear A	1		POM(White)
12	75601-40191	Power output Axle right	1		POM(White)
13	75601-40141	Gear case Lower	1		PC(Reddish brown)
14	75651-17051	Gear unit assembly	1		

(Attention)

- Identification of a motor (24V) of No.3 and other motor(10V;UNIA)
- No.3 motor(24V;93501-47280)
- (1)A color of line is green

